

CBS Food Equipment

841 Yosemite Way, Milpitas CA 95036

Telephone (408) 946-2820 - Fax (408) 946-3247

Our Equipment Works Harder So You Don't Have To

The Biro 346SS is a compact stainless steel manual feed grinder that is well suited to today's smaller meat rooms. Its 3 HP motor has plenty of power, and the size 32 head and square throat bowl ensure plenty of productivity. The 346's compact size means it can fit into tight places, which makes it just right for today's smaller grocery store meat rooms. The single reduction roller chain drive ensures maximum power, and the tapered roller bearings mean trouble-free operation. The bowl assembly and feed tray are easily removed without tools, so cleanup is a snap. Efficiency, durability, and low, low maintenance all help make the Biro 346SS Meat Grinder work harder so you don't have to.



346SS

CBS Food Equipment

841 Yosemite Way, Milpitas CA 95036

Telephone (408) 946-2820 - Fax (408) 946-3247

SPECIFICATIONS

MODEL 346 GRINDER (CHOPPER, MINCER).
CONSTRUCTION STAINLESS STEEL FEED PAN AND POLISHED STAINLESS STEEL CASE, CAST IRON HOT TIN-DIPPED BOWL ASSEMBLY, SIZE 32.

MOTORS

HP	TYPE	KW	VOLTS	AMPS	HERTZ	PHASE	CODE
3	ODP	2.25	208-230/460	15-14/7	60	3	STD
3	ODP	2.25	208-220	18-17	60	1	STD
3	ODP	2.25	200	10	60	3	EC
3	ODP	2.25	220/380	12/7	50	3	EC
3	ODP	2.25	220-230	19-18	50	1	EC

ODP=OPEN DRIP PROOF STD=STANDARD NC=NO CHARGE
 EC=EXTRA CHARGE NA=NOT AVAILABLE

SWITCH WATERTIGHT ENCLOSURE, MAGNETIC, THERMAL OVERLOAD TYPE, AUTOMATIC RESETTING, SWITCH CONTROLLED BY A ROCKER ROD ARRANGEMENT PROJECTING OUTSIDE BOTH SIDES OF MACHINE ACTIVATED BY SWITCH ROD HANDLE.

POWER CORD AVAILABLE OPTION AT EXTRA COST.

CAPACITY FEED PAN APPROXIMATELY 85 LBS. (38 KG).

GRINDING CAPACITY UP TO 45 LBS. (20 KG) PER MINUTE, 1/8" PLATE FIRST GRIND.

DRIVE SYSTEM PRE-LUBRICATED CHAIN DRIVE.

SAFETY MAGNETIC SAFETY INTERLOCK SO MACHINE WILL NOT OPERATE WHEN FEED PAN WITH WELDED BOWL GUARD IS REMOVED.

STANDARD FEATURES 11" (280 MM) ALUMINUM LEGS, SPURT GUARD, STOMPER, RING WRENCH, BOWL GUARD ON FEED PAN, OPERATING AND SAFETY MANUAL.

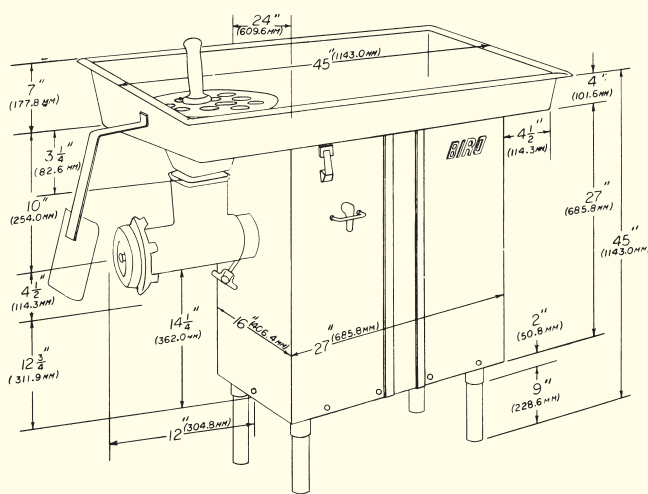
OPTIONS (EC) SIZE 32 KNIFE AND PLATE, LONGER LEGS, POWER CORD, 220/380-50-3, 220-50-1, STAINLESS STEEL BOWL ASSEMBLY (ENTERPRISE OR UNGER), SOLID STOMPER, RIGHT HAND FEED PAN.

OPTIONS (NC) NA

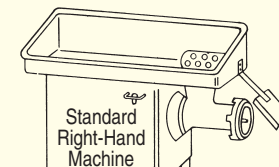
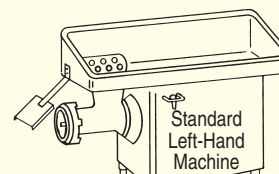
CERTIFICATION U.S.D.A., N.S.F., U.L. - 3 PHASE.

WEIGHT
 1 PHASE UNCRATED: 344 LBS. (156 KG) APPROXIMATE.
 1 PHASE CRATED: 420 LBS. (191 KG) APPROXIMATE.
 3 PHASE UNCRATED: 345 LBS. (157 KG) APPROXIMATE.
 3 PHASE CRATED: 435 LBS (198 KG) APPROXIMATE.

DIMENSIONS CRATED L = 30" (762 CM), W = 59" (1499 CM), H = 40" (1016 CM).



BIRO EXCLUSIVE NON-SLIP CHAIN DRIVE TRANSMISSION.



ALL SPECIFICATIONS CONTAINED HEREIN ARE SUBJECT TO CHANGE WITHOUT NOTIFICATION.

ITEM NO.: LIT 346-204
 FORM NO.: Md 346-9-08-13-MARK

Service is available from over 245 locations worldwide