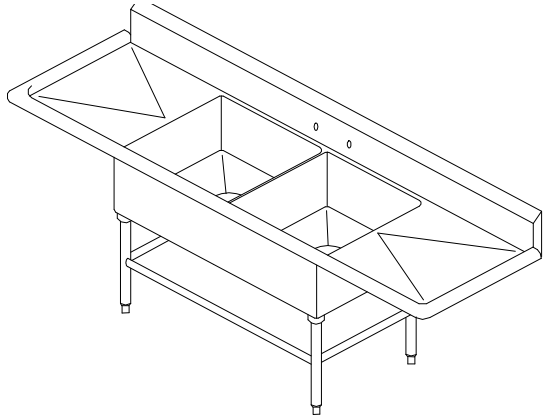


CBS Food Equipment

841 Yosemite Way, Milpitas CA 95036

Telephone (408) 946-2820 - Fax (408) 946-3247



PREMIUM: 14 ga. 304 S/S welded Bowls
14 ga. 304 S/S Drainboards and Splash
10" Back Splash



STANDARD: 16 ga. 304 S/S welded Bowls
16 ga. 304 S/S Drainboards and Splash
10" Back Splash

FEATURES:

- * Standard 16 Gauge (optional 14 gauge)
Type 300 stainless steel with # 3 polish, satin finish
- * 12" Deep Bowls (optional 14" deep bowls)
- * All Corners, both vertical and horizontal, coved at 5/8" radius
- * Bottoms of bowls formed for drainage to 3-1/2" diameter die stamped opening
- * Full length **10" High Boxed Backsplash**, with 2" return to wall at 45 degree and 3/4" turned down rear lip
- * 1-1/2" Faucet Holes in Backsplash
- * Solid Stainless Steel front panel, type 300 stainless steel with # 3 polish, satin finish
- * All outside corners of assembly are Bullnosed to provide safe, clean and polished edge
- * Standard legs 1-5/8" diameter, 16 gauge galvanized steel 100% pre-galvanized steel - **Not Plated** (optional stainless steel)
- * Legs located directly under sink bowls, providing increased stability and maximum weight support

CONSTRUCTION:

Top: Stainless Steel Sinks are TIG welded, Exposed welds are polished to match adjacent surface.

Bases: Galvanized Bases are MIG welded

MATERIAL:

Bowls & 16 gauge stainless Steel (optional 14 Gauge)
Top: Type 300 stainless steel with # 3 polish, satin finish
Legs: 1 5/8" Round O.D., 16 gauge galvanized steel
100% pre-galvanized steel - **Not Plated**
Bracing: 1 1/4" Round O.D., 16 gauge galvanized steel
100% pre-galvanized steel - **Not Plated**
Gussets: Stainless Steel
Feet: 1" adjustable galvanized bullet feet

STANDARD 16 Gauge		PREMIUM 14 Gauge	
	Qty		Qty
2PB1618-2D18		42PB1618-2D18	
2PB1618-2D24		42PB1618-2D24	
2PB18-2D18		42PB18-2D18	
2PB18-2D24		42PB18-2D24	
2PB18-2D30		42PB18-2D30	
2PB1824-2D18		42PB1824-2D18	
2PB1824-2D24		42PB1824-2D24	
2PD1824-2D30		42PD1824-2D30	
2PB24-2D24		42PB24-2D24	
2PB24-2D30		42PB24-2D30	
2PB3024-2D30		42PB3024-2D30	
2PB3024-2D36		42PB3024-2D36	

Bowl Sizes:

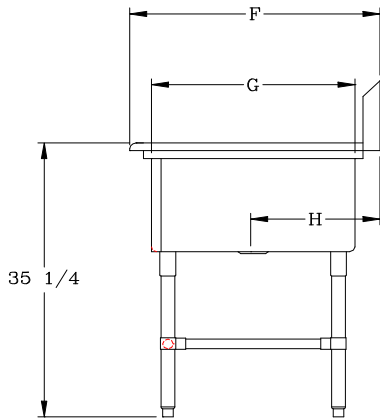
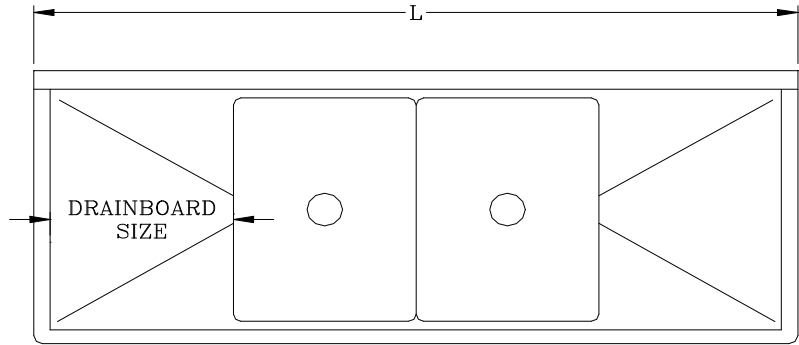
16" X 18"	18" X 24"
16" X 20"	24" X 24"
18" X 18"	30" X 24"

OPTIONAL ACCESSORIES

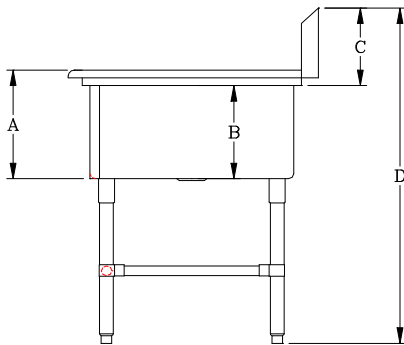
	Qty
END SPLASHS, RIGHT , LEFT or BOTH	
14" DEEP BOWLS	
14 GAUGE	
FAUCETS	
ADD-A-FAUCETS	
PRE-RINSE UNITS	
LEVEL WASTE	
OVERSHELVES	
POT RACK	
STAINLESS STEEL FEET	

DETAILED SPECIFICATIONS

BOWLS	F	G	H
16 X 18	23-1/2"	18"	11-15/16"
16 X 20	25-1/2"	20"	12-15/16"
18 X 18	23-1/2"	18"	11-15/16"
18 X 24	29-1/2"	24"	14-15/16"
24 X 24	29-1/2"	24"	14-15/16"
30 X 24	29-1/2"	24"	14-15/16"



A	14"
B	12"
C	10"
D	43"



STANDARD 16 GAUGE				
MODEL	BOWL SIZE	DIMENSIONS	DB	WT.
2PB1618-2D18	16 X 18 X 12	71-1/4" X 23-1/2"	18"	245
2PB1618-2D24	16 X 18 X 12	83-1/4" X 23-1/2"	24"	265
2PB18-2D18	18 X 18 X 12	75-1/4" X 23-1/2"	18"	260
2PB18-2D24	18 X 18 X 12	87-1/4" X 23-1/2"	24"	270
2PB18-2D30	18 X 18 X 12	99-1/4" X 23-1/2"	30"	285
2PB1824-2D18	18 X 24 X 12	75-1/4" X 29-1/2"	18"	275
2PB1824-2D24	18 X 24 X 12	87-1/4" X 29-1/2"	24"	300
2PB1824-2D30	18 X 24 X 12	99-1/4" X 29-1/2"	30"	330
2PB24-2D24	24 X 24 X 12	99-1/4" X 29-1/2"	24"	330
2PB24-2D30	24 X 24 X 12	111-1/4" X 29-1/2"	30"	345
2PB3024-2D30	30 X 24 X 12	123-1/4" X 29-1/2"	30"	395
2PB3024-2D36	30 X 24 X 12	135-1/4" X 29-1/2"	36"	420

PREMIUM 14 GAUGE				
MODEL	BOWL SIZE	DIMENSIONS	DB	WT.
42PB1618-2D18	16 X 18 X 12	71-1/4" X 23-1/2"	18"	270
42PB1618-2D24	18 X 18 X 12	83-1/4" X 23-1/2"	24"	292
42PB18-2D18	18 X 24 X 12	75-1/4" X 23-1/2"	18"	286
42PB18-2D24	24 X 24 X 12	87-1/4" X 23-1/2"	24"	297
42PB18-2D30	18 X 18 X 12	99-1/4" X 23-1/2"	30"	314
42PB1824-2D18	18 X 24 X 12	75-1/4" X 29-1/2"	18"	303
42PB1824-2D24	18 X 24 X 12	87-1/4" X 29-1/2"	24"	330
42PB1824-2D30	18 X 24 X 12	99-1/4" X 29-1/2"	30"	363
42PB24-2D24	24 X 24 X 12	99-1/4" X 29-1/2"	24"	363
42PB24-2D30	24 X 24 X 12	111-1/4" X 29-1/2"	30"	380
42PB3024-2D30	30 X 24 X 12	123-1/4" X 29-1/2"	30"	435
42PB3024-2D36	30 X 24 X 12	135-1/4" X 29-1/2"	36"	462

All dimensions are typical.

Tolerance +/- .500".

All units ship unassembled for reduced shipping cost.

CBS Food Equipment

841 Yosemite Way, Milpitas CA 95036

Telephone (408) 946-2820 - Fax (408) 946-3247