

CBS Food Equipment

841 Yosemite Way, Milpitas CA 95036
Telephone (408) 946-2820 - Fax (408) 946-3247



SP8 8 Quart Mixer

Model

- SP8 - 8 Quart Mixer



8 Quart Mixer

Standard Features

- Gear driven, high torque transmission
- Three fixed speeds
- 1/4 HP custom built motor
- Heat-treated hardened steel alloy gears and shafts
- Permanently lubricated transmission
- Thermal overload protection
- Rigid cast aluminum body
- Polycarbonate bowl guard
- Safety interlocked bowl lift
- Front mounted controls
- 15 minute digital timer
- 6 foot cord and plug

Standard Accessories

- 8 quart stainless steel bowl
- Flat beater (aluminum)
- Stainless steel wire whip
- Spiral dough hook (aluminum)

Optional Accessories

- Flat beater (stainless steel)
- Spiral dough hook (stainless steel)
- Mixer table with undershelf

Standard Warranty

- Two-years parts and one-year labor

Approved By: _____

Date: _____

CBS Food Equipment

841 Yosemite Way, Milpitas CA 95036
Telephone (408) 946-2820 - Fax (408) 946-3247

SP8



8 Quart Mixer

SP8

Specifications

Motor: 1/4 HP, grease packed ball bearing, air cooled, 115/60/1, 5 amps. Thermal overload protection (manual reset).

Finish: NSF approved enamel white paint.

Capacity: 8 quart (7.6 liter) bowl.

Transmission: Fixed speed transmission is made of heat treated, hardened alloy, precision milled gears that operate the planetary action and provide high torque mixing power. The gears are packed in a long lasting grease, and all shafts are mounted in ball bearings.

Safety Interlock: The bowl lift lever is interlocked. The mixer will automatically shut down when the bowl is lowered.

Standard Equipment: Standard equipment includes an 8 quart #304 series stainless steel bowl, aluminum spiral dough hook, stainless steel wire whip, aluminum flat beater, polycarbonate bowl guard, and a 15 minute digital timer. A sturdy hand lever on the body column raises and lowers the bowl as well as locking in place at the top and bottom positions.

Agitator Speeds (RPMs):

Low	132
Intermediate	234
High	421

Cord and Plug: 6 ft. flexible three wire cord and ground plug.

Dimensions:

Foot Print = 11.8" x 15.8"
(30cm x 40.1cm)
Overall Length = 15.8" (40.1cm)
Overall Width = 11.8" (30cm)
Overall Height = 22.9" (58.2cm)

Shipping Information:

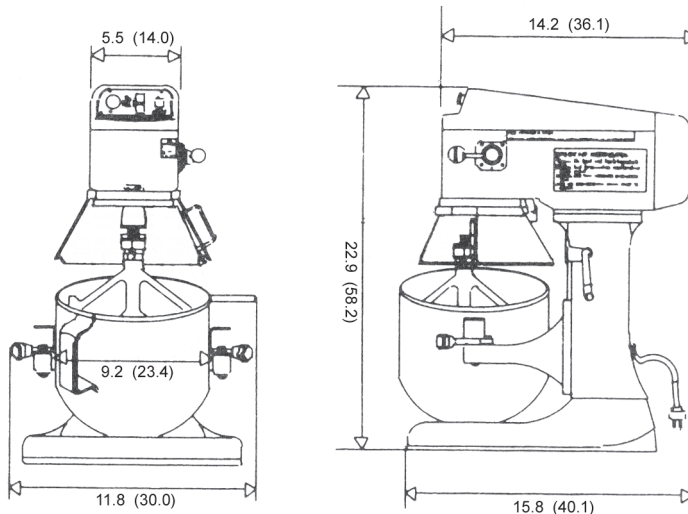
Freight Class: 85
Net Weight: 55 lbs. (25 kg)
Shipping Weight: 62 lbs. (28.1 kg)
Shipping Dimensions:
16"W x 20"D x 26"H
(40.6cm x 50.8cm x 66cm)
Cartons are reinforced for shipping. The weight and dimensions of this reinforced carton are included above and may vary from shipment to shipment.

Optional Accessories:

XXBEAT-08SS Stainless Steel Flat Beater

XXHOOK-08SS Stainless Steel Spiral Dough Hook

XTABLE Mixer Table with undershelf (Stainless steel top with galvanized steel undershelf and legs.)
30"W x 24"D x 24"H
(76.2cm x 61cm x 61cm)



UNIT: INCHES (CM)

CBS Food Equipment

841 Yosemite Way, Milpitas CA 95036
Telephone (408) 946-2820 - Fax (408) 946-3247